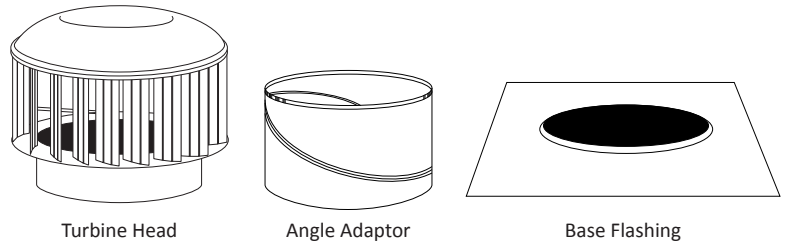


VENTILATOR COMPONENTS

The standard Green-vent Ventilator consists of these components: turbine, Angle Adaptor and Base Flashing.

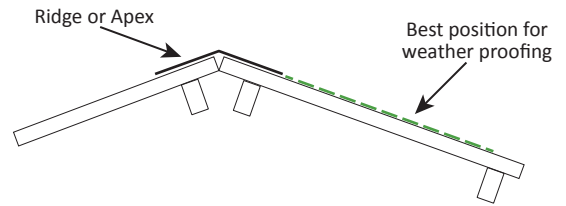
Set out below are stepwise installation instructions.



STEPWISE INSTALLATION INSTRUCTION

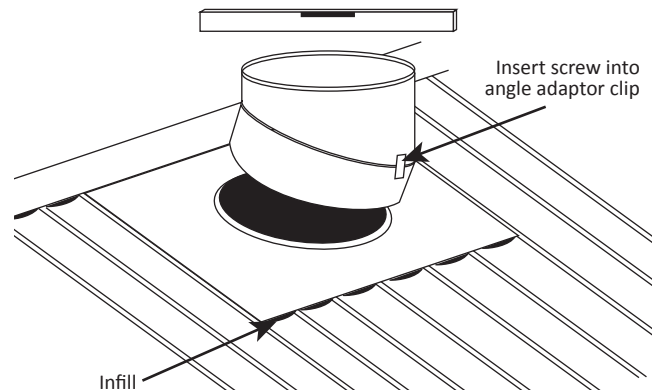
Step 1

Select the appropriate positions on the roof as referred to in (fig.1): place the base flashing under the ridge capping. Note: when selecting the position of the vent, the means of weather proofing needs to be taken into account, the most efficient means is to locate the flashing under the ridge cap.



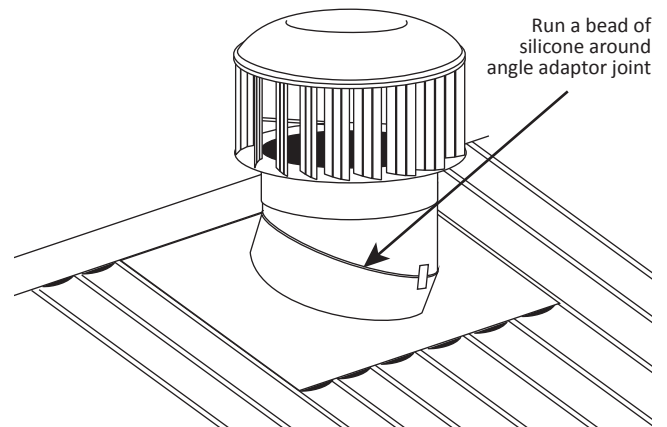
Step 2

Ensure that the base flashing covers the corrugations or ribs equally, then mark a circle using the base as a template. Cut hole. Once the hole has been cut, turn up the corrugations or pans and secure the flashing to the roof. It is recommended that an infill be used on the low side of the flashing. Coat all fasteners with silicone to insure weatherproof.



Step 3

When an Angle Adaptor base is being used, sit the angle adaptor on the flashing and rotate the top and bottom halves until the top of the angle adaptor is horizontal, it is recommended that a level be used. Secure the two halves of the angle adaptor by inserting self tapping screws into the adaptor clips. Run a bead of silicone around the inside of the angle adaptor seam.



Step 4

Place the Angle Adaptor on the flashing and double check the level. Fix the angle adaptor to the flashing (for number of fasteners see table 1).

Step 5

Fit the turbine to the angle adaptor. Check that it is level and adjust by tilting if necessary. Fasten the turbine to the top of the adaptor (for the number of fasteners see table 1).

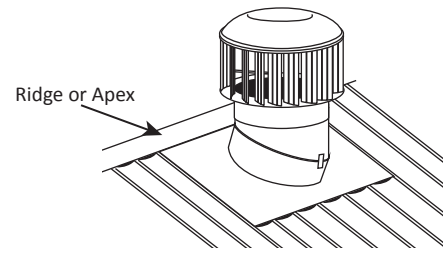
Table 1 - Minimum number of fasteners

Unit Size (mm)	Head to Angle Adaptor	Angle Adaptor to Flashing	Flashing to Roof (locate 4 close to angle adaptor)
300	4	4	10
600	6	6	16
900	8	8	20

Either 10 gauge 16mm tek screw with neo or 4-3 blind rivets are recommended. When rivets are used apply silicone over the rivets to seal.

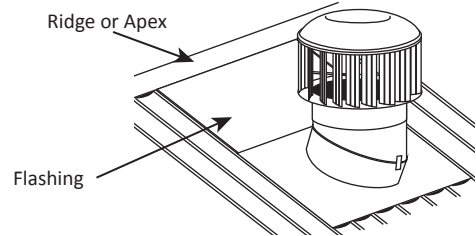
Situation 1 - Under Ridge Cap

On a sheeted roof, the best method of avoiding a leak is to install the ventilator at the peak of the roof where the volume of water on the roof is minimal.



Situation 2 - Away from Ridge Cap

If the ventilator must be installed further down the slope, it is wise to provide a flat flashing to extend back to the ridge or apex.

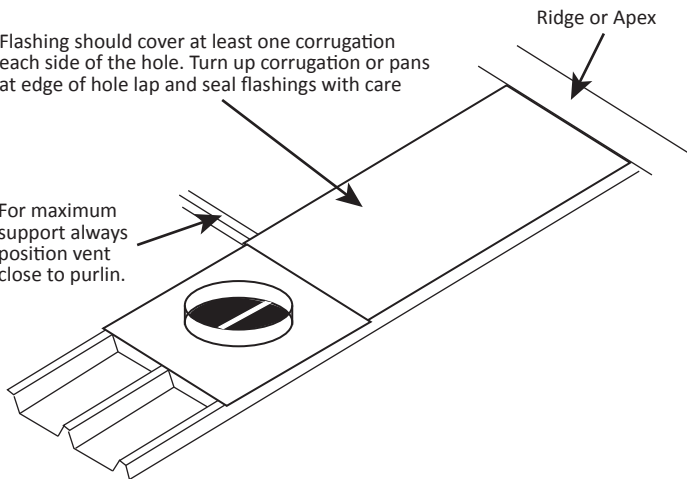


Situation 3 - Installation on Trim Deck

Simple and safe method of weatherproofing by running a series of flashing back to the ridge. Secure fastening to purlins.

Flashing should cover at least one corrugation each side of the hole. Turn up corrugation or pans at edge of hole lap and seal flashings with care

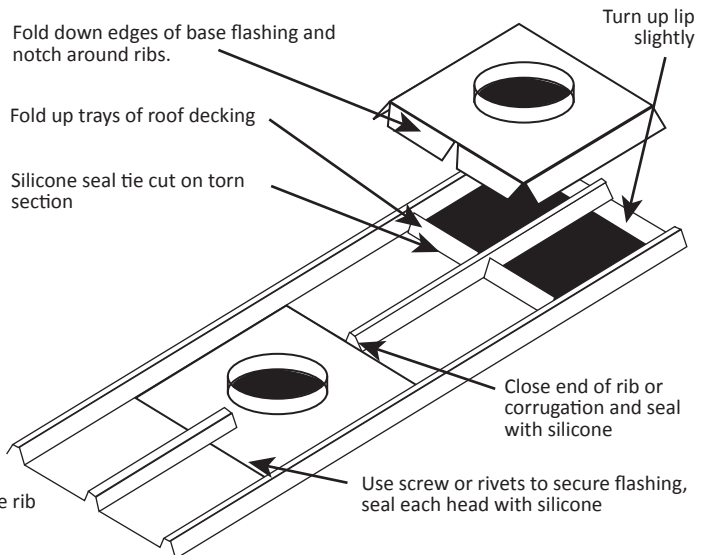
For maximum support always position vent close to purlin.



To maintain the strength of the sheet when installing large units centre rib can be left in place. Flashing must extend back on the ridge or apex

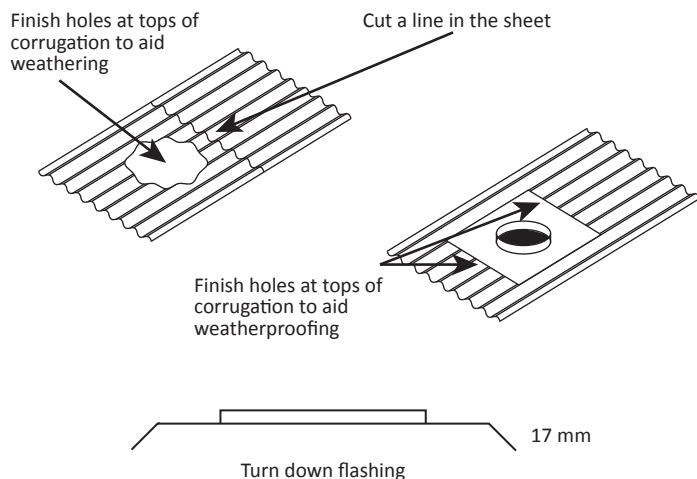
Situation 4

When installing down a slope, and flashing back to the ridge or apex is not practical. Cut flashing down to suit decking width. Seal well with silicone.



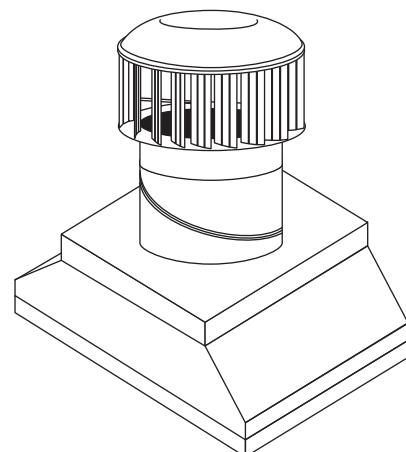
Situation 5 - Installation on Corrugated Profile

When installing down on the slope on corrugated profile metal and it is not practical to flash back to the ridge or apex. Turn the sides of the flashing down 17mm. Cut a line in the sheet. Push the flashing into the cut. Insert an infill on both top and bottom of the flashing and silicone seal.



Situation 6 - Installation on a Curb Mount

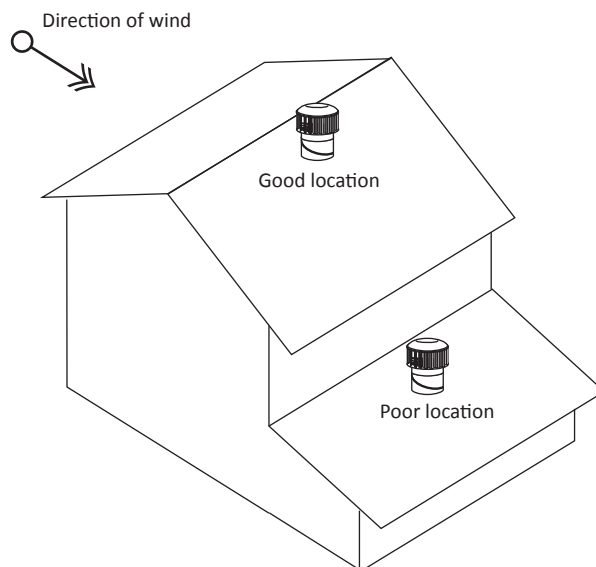
Installation of a ventilator on to a curb mount or spigot. The use of an EX Base is recommended. However, a standard angle adaptor is also suitable. If the OD of the curb and required length of turn down is provided. The flashing can be folded enable easier installation.



Locating the Ventilator

To ensure that the ventilator is properly positioned, we must understand the pattern of the wind as it blows across the building and locate the ventilator in the most advantageous position. Most of the art placing a ventilator on roof is commonsense, however, there are a few do's and don'ts:

1. Do try to locate the ventilator in undisturbed air from all directions. This is not always possible, however there will be some positions which are better than others. Choose the best.
2. Don't install a ventilator on a low roof adjacent to a vertical wall. This area will experience extreme turbulence in most winds. If the lower area must be ventilated, suggest an extension slack to get above the high roof.
3. Don't install ventilator below a parapet, always elevate the unit to catch the direct wind.
4. Don't install a ventilator on a chimney below the ridge height.



Locating the Inlet

The ideal location for inlets is close to the floor level and evenly spaced around the perimeter walls.

When this is not possible, locate the vent as far away from the inlet as possible.

